

TetraFlow[®]

Fitting your needs.

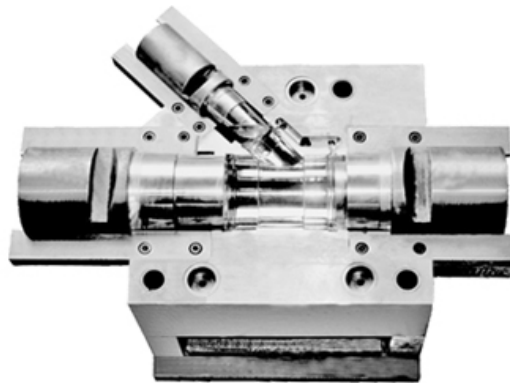
Delivering high quality and economical plastic fittings and moulds world-wide.

Drainage, Electrical & Rainwater - Moulds and Fittings

About TetraFlow

Key Points

- TetraFlow - your trusted partner in high quality plastic fittings and moulds for plumbing, drainage, rainwater and electrical systems.
- With multi-national operations, TetraFlow continues to develop key partnerships with some of the largest plastic piping manufacturers and traders world-wide by delivering high quality moulds and fittings.
- Our fittings for pipes, gutters and electrical conduits are purchased by: manufacturers, independent buyers, plumbing merchants, electrical conduit suppliers, building material wholesalers and construction project developers.



About TetraFlow

We offer

- TetraFlow range of uPVC fittings for Plumbing, Drainage, Rainwater and Electrical systems.
- Moulds for an extensive range of fittings, to increase your existing range or set up new injection moulding facilities.
- Customised plastic pipe fittings designed and manufactured exclusively for you. Available in PVC-U (UPVC), PVC-C (CPVC), PP and ABS
- R&D, technical design, mould servicing and sourcing services.





About TetraFlow

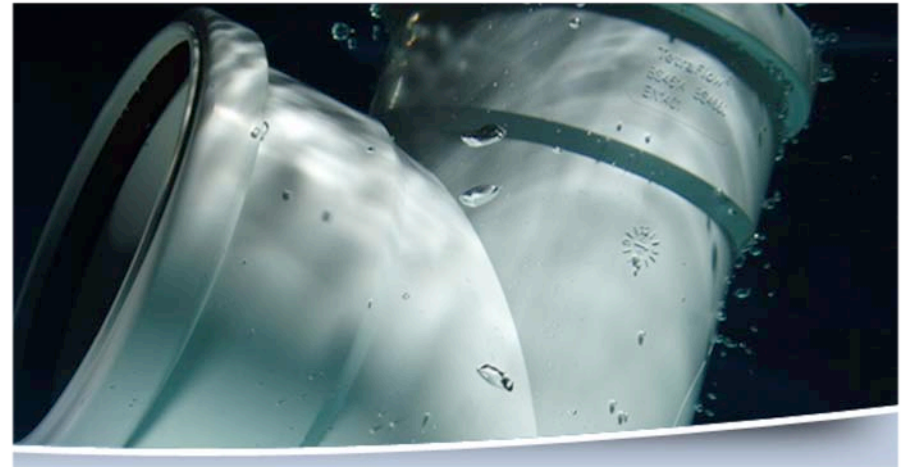
Who we are

- Manufacturers of high quality, economical plastic pipe fittings and moulds, with a range of PVC-U (unplasticised polyvinyl chloride) pipe fittings for plumbing, drainage and electrical applications
 - Our products cover British, European and ISO (Metric) standards including:
EN 1329, ISO 3633, BS 4514, BS 5255, BS 4660, EN 1401, BS 4576, BS 4607.
- Certified to by the British Standards Institute to operate to ISO9001:2008 quality standards; Kitemark certified production for manufacturers who have Kitemarked products.
- TetraFlow takes advantage of being headquartered in Singapore for advanced technical expertise, and economical manufacturing in China – as such we have quickly become a valuable partner for manufacturers and pipe fitting suppliers internationally.

About TetraFlow

Our clients

- TetraFlow makes custom branded fittings for large international pipe manufacturers including:
 - Wavin Overseas – Netherlands
 - Wavin Plastics – UK
 - Wavin GmbH – Germany
- ***In addition, our premium quality TetraFlow branded uPVC fittings have extensive distribution in the European, Gulf and Asian markets.***



About TetraFlow

Client Testimonial

“

For many years, TetraFlow is a partner in design and a qualified supplier of high performance plastics. The partnership with Wavin Overseas encompasses product design, mould manufacture, and production of a range of Wavin-branded fittings in ABS material.

The cooperation with TetraFlow has shown to be professional in every stage, resulting in short time-to-market at competitive costs whilst maintaining the quality that Wavin Overseas requires.

By sending her products directly to Wavin Overseas' customers, TetraFlow has been able to shorten the supply chain and the time for delivery.

”

Working with TetraFlow has enhanced our strength in the market.

Harry Ammerlaan

Technology Director and Regional Manager

Wavin Overseas, The Netherlands

All your Fitting Needs
Under One Roof



TetraFlow®

Drainage, Electrical & Rainwater - Moulds and Fittings

info@tetraflow.com

www.tetraflow.com

This document is confidential and prepared solely for your information. Therefore you should not, without our prior written consent, refer to or use our name or this document for any other purpose, disclose them or refer to them in any prospectus or other document, or make them available or communicate them to any other party. No other party is entitled to rely on our document for any purpose whatsoever and thus we accept no liability to any other party who is shown or gains access to this document.